



PRAN ELECTRONICS PVT. LTD.

52. GIDC. Makarpura. Vadodara - 390 010. India.

Phone : +91 265 2635918, 2635920, 9727158028

E-mail : info@pranelectronics.com Web : www.pranelectronics.com

AN ISO 9001 : 2008 COMPANY

CIN NO:U32100GJ1998PTC092136

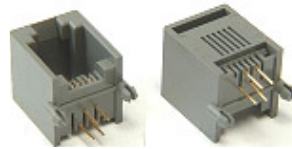
Modular Jack 623A:

RoHS Compliant

Detail specifications and test conditions

Description: PCB Mounting Modular Jack

Code: JP-623A-6P2C/4C/6C



Sr. No.	Item	Test Conditions	Criteria
ELECTRICAL SPECIFICATONS			
1.	Contact Resistance	Voltage drop Method 5 VDC, 10mA	40 milli Ohms Maximum
2.	Proof Voltage	1000 VAC Duration: 1 Minute	No breakdown
3.	Insulation Resistance	500 VDC Duration: 1 Minute	100 Mega Ohms Minimum
4.	Voltage rating	125V AC	125V AC
5.	Current rating	1.5A	1.5A
MATERIAL SPECIFICATONS			
4.	Housing	PBT, ABS	Thermo plastic
5.	Contact Material	Phosphor Bronze	0.45 dia. +/- 0.01mm
6.	Contact Plating	Gold plating	Gold Plating
MECHANICAL SPECIFICATONS			
7.	Mating Force	4 Contacts – 500 Grams	500 Grams
8.	Retention Force	Between Jack and Plug	7.7 Kgs.
ENDURANCE SPECIFICATION			
9.	Operating Life	5 VDC at 5 mA, resistive load Rate of operation: 2 to 3 operations per second Cycles of Operation: 600	Minimum 600 Cycles
ENVIRONMENTAL			
10.	Storage Temp.	-40 to 85 Deg. C	-40 to 85 Deg. C
11.	Operating Temp.	-40 to 85 Deg. C	-40 to 85 Deg. C



PRAN ELECTRONICS PVT. LTD.

52, GIDC, Makarpura, Vadodara - 390 010, India.

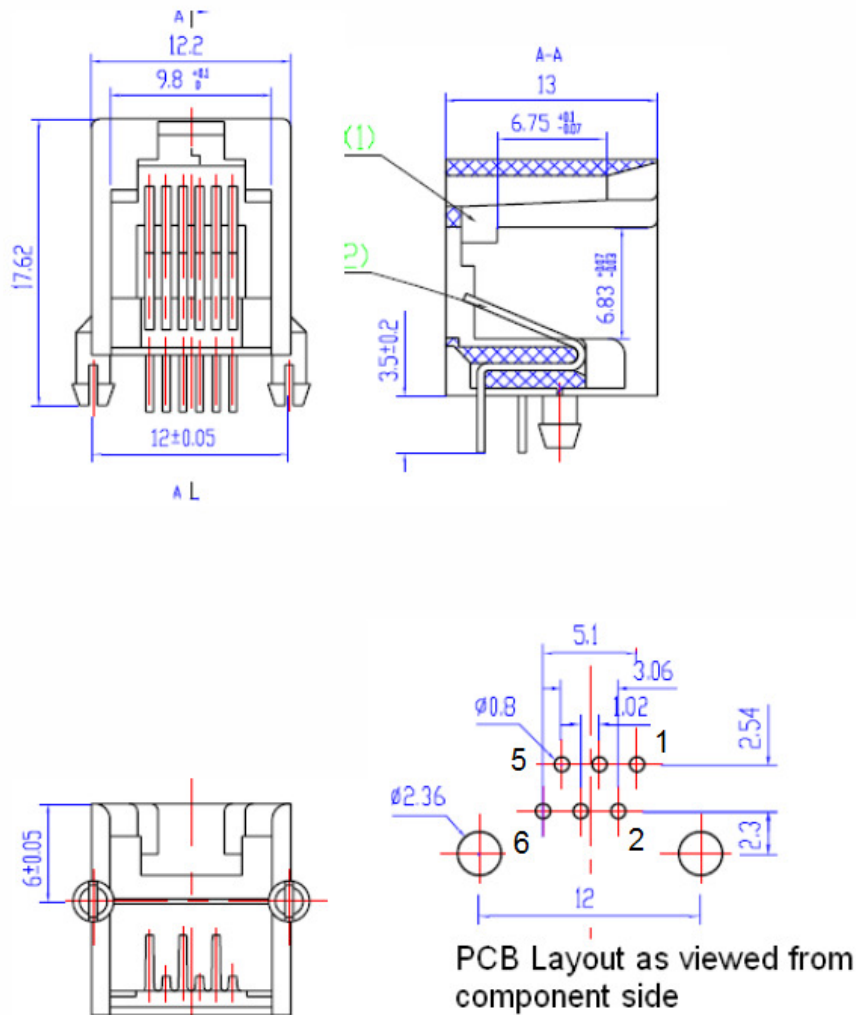
Phone : +91 265 2635918, 2635920, 9727158028

E-mail : info@pranelectronics.com Web : www.pranelectronics.com

AN ISO 9001 : 2008 COMPANY

CIN NO:U32100GJ1998PTC092136

Modular Jack 623A: Drawing



JP – 623A – 6P6C = All 6 contacts loaded pin nos. 1 to 6

JP – 623A – 6P4C = Center 4 contacts loaded pin nos. 2,3,4,5

JP – 623A – 6P2C = Center 2 contacts loaded pin nos. 3 and 4

Rev. 01 date 16/7/2014, pin nos. added

Rev. 02 date 11/01/2018, Voltage & Current rating added

Rev. 03 date 26/04/2018, Storage & Operating temperature added



PRAN ELECTRONICS PVT. LTD.

52, GIDC, Makarpura, Vadodara - 390 010. India.
Phone : +91 - 265 - 263 2916, 263 5920 Fax : + 91 - 265 - 263 5918
E-mail : info@pranelectronics.com Web : www.pranelectronics.com

AN ISO 9001:2000 COMPANY

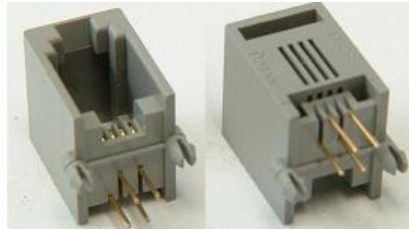
Modular Jack 616A:

RoHS Compliant Rev.01 date 10/02/2016

Detail specifications and test conditions

Description: PCB Mounting Modular Jack

Code: JP-616A-4P4C



Sr. No.	Item	Test Conditions	Criteria
ELECTRICAL SPECIFICATONS			
1.	Contact Resistance	Voltage drop Method 5 VDC, 10mA	40 milli Ohms Maximum
2.	Proof Voltage	1000 VAC Duration: 1 Minute	No breakdown
3.	Insulation Resistance	500 VDC Duration: 1 Minute	100 Mega Ohms Minimum
MATERIAL SPECIFICATONS			
4.	Housing	PBT/ABS/PC/Alloy Grey Colour	UL 94V2
5.	Contact Material	Phosphor Bronze	0.45 dia. +/- 0.01mm
6.	Contact Plating	Gold plating	Gold Plating
MECHANICAL SPECIFICATONS			
7.	Mating Force	4 Contacts 500 Grams	500 Grams
8.	Retention Force	Between Jack and Plug	7.7 Kgs.
ENDURANCE SPECIFICATION			
9.	Operating Life	5 VDC at 5 mA, resistive load Rate of operation: 2 to 3 operations per second Cycles of Operation: 600	Minimum 600 Cycles
10	Soldering Temp.	Hand or Wave soldering	240-260 Deg. 3 Sec.
11	Storage Temp.	-10 to 45 Deg. C	
12	Operating Temp.	-40 to 85 Deg. C	



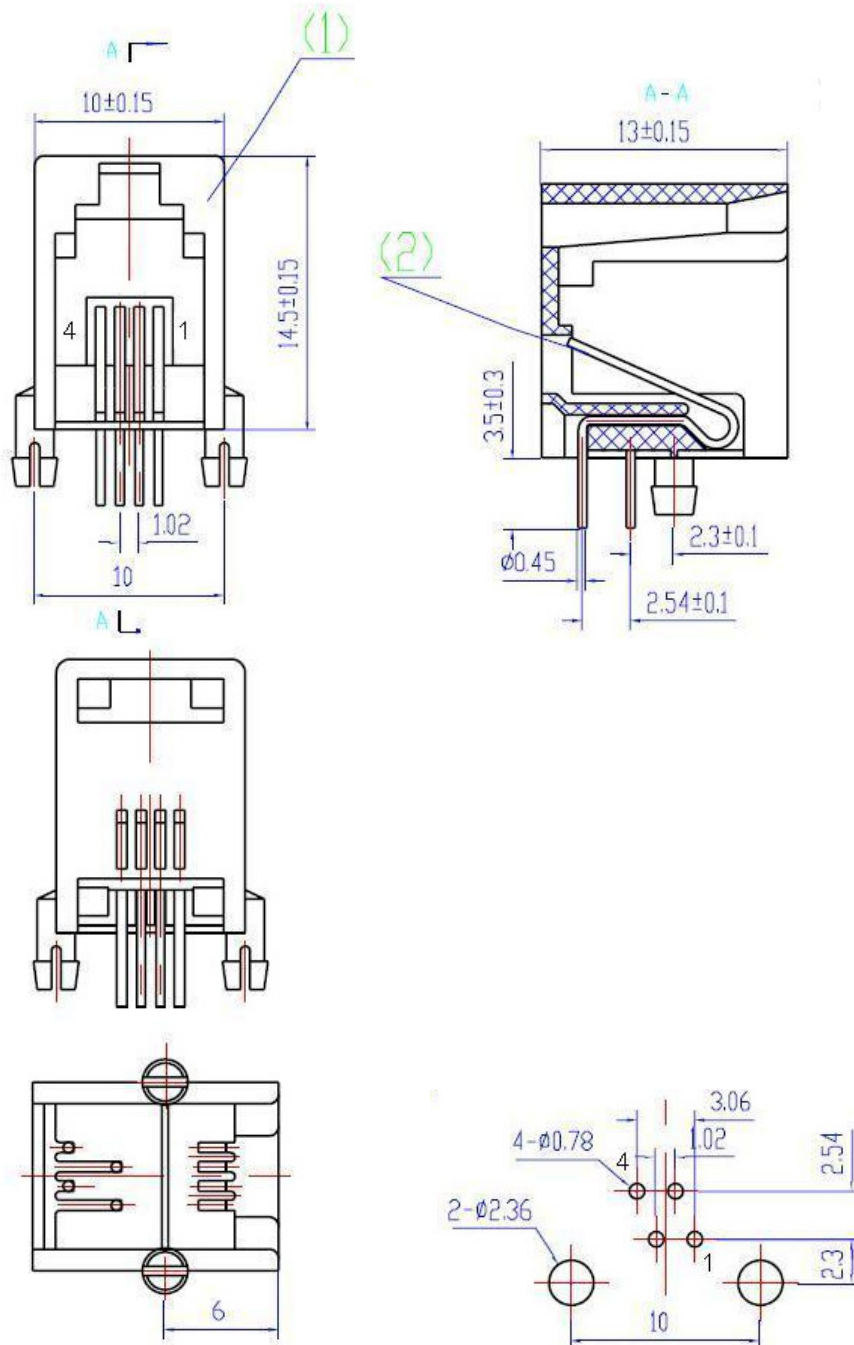
PRAN ELECTRONICS PVT. LTD.

52, GIDC, Makarpura, Vadodara - 390 010. India.
Phone : +91 - 265 - 263 2916, 263 5920 Fax : + 91 - 265 - 263 5918
E-mail : info@pranelectronics.com Web : www.pranelectronics.com

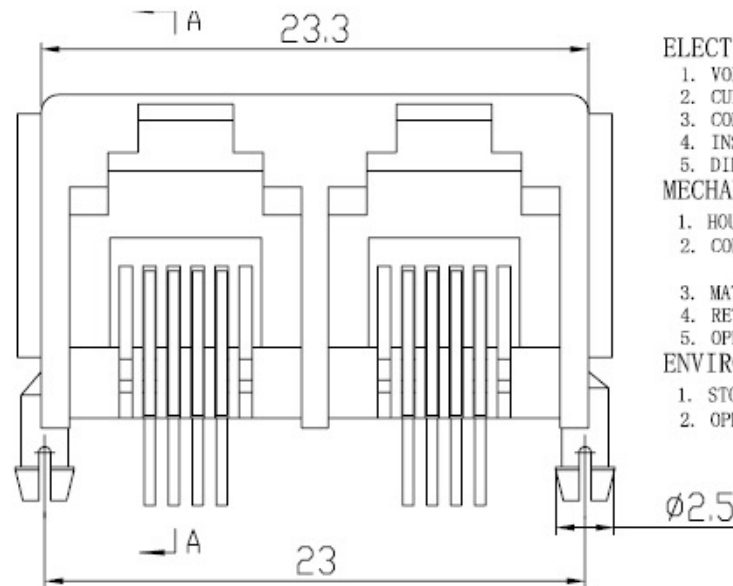
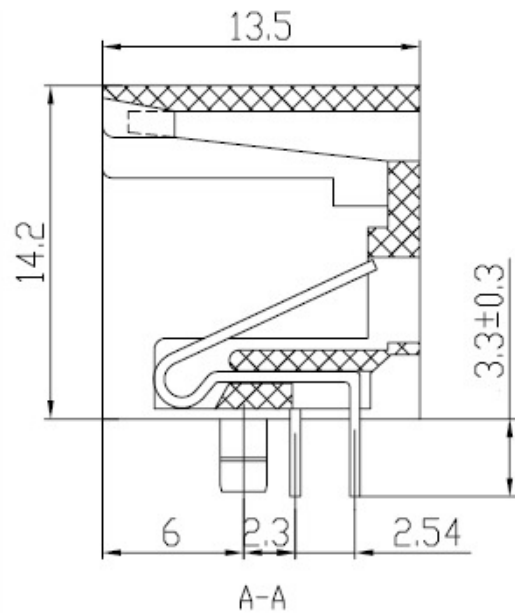
AN ISO 9001:2000 COMPANY

**Modular Jack 616A:
Drawing:**

RoHS Compliant Rev.01 date 10/02/2016



Recommended PCB Layout



ELECTRICAL:

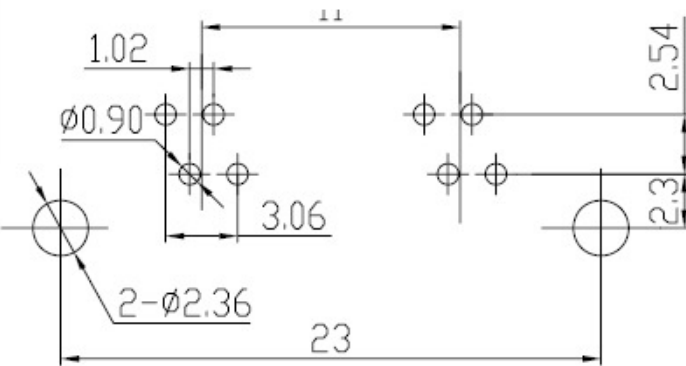
- | | |
|--------------------------|------------------------------------|
| 1. VOLTAGE RATING | : 125 VAC RMS. |
| 2. CURRENT RATING | : 1.5 AMP. |
| 3. CONTACT RESISTANCE | : 30 MILLIOHMS MAX. |
| 4. INSULATION RESISTANCE | : 500 MEGOHMS MIN @ 500 VDC. |
| 5. DIELECTRIC STRENGTH | : 1000 VAC RMS 50Hz or 60Hz, 1MIN. |

MECHANICAL:

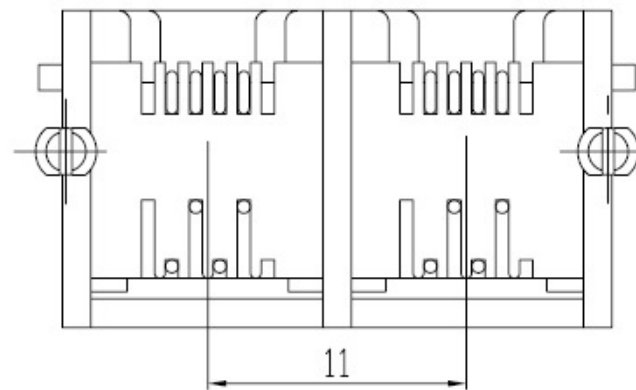
- | | |
|------------------------------|--|
| 1. HOUSING & INSERT MATERIAL | : PBT UL94V-0. |
| 2. CONTACT MATERIAL | : DIAMETER 0.45MM PHOSPHOR BRONZE
GOLD PLATING OVER NICKEL. |
| 3. MATING/UNMATING FORCE | : 2.2KG. F MAX. |
| 4. RETENTION STRENGTH | : 7.7KG. F MIN BETWEEN JACK AND PLUG. |
| 5. OPERATING LIFE | : 600 CYCLES MIN. |

ENVIRONMENTAL:

- | | |
|--------------|--|
| 1. STORAGE | : -10°C ~ +40°C RELATIVE HUMIDITY<70%. |
| 2. OPERATION | : -40°C ~ +85°C. |



PC Board Layout

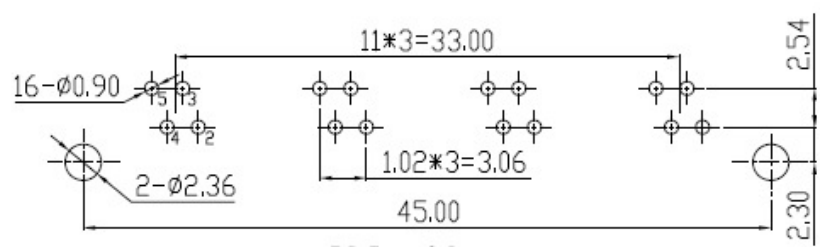
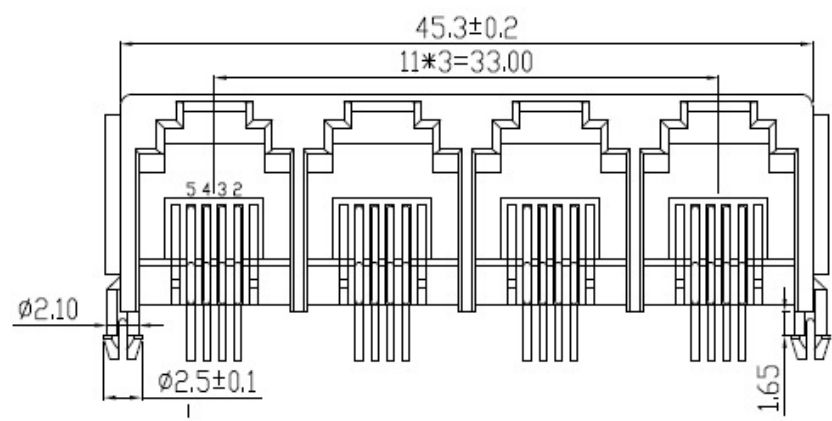
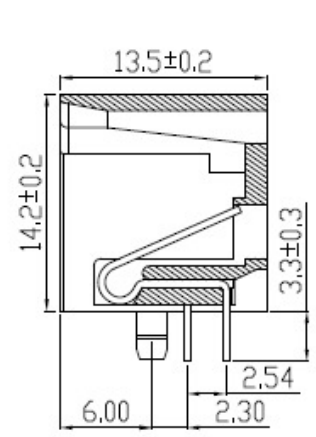
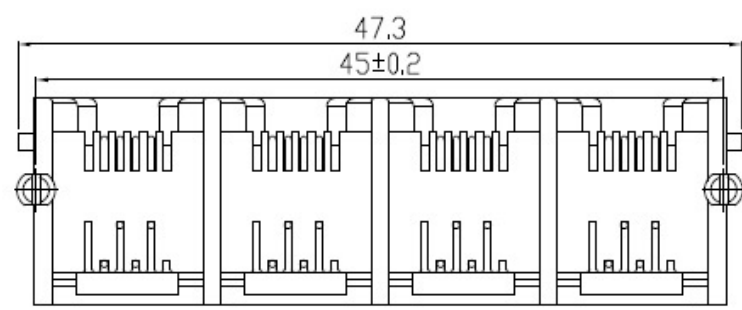
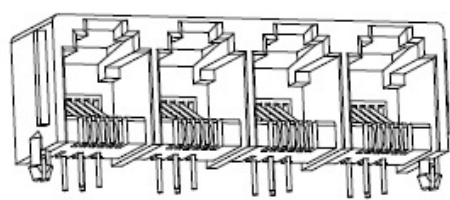


Part Code: JP-623A-6P4C-2P

Description:
2 Port side entry 6P4C modular jack



Pran Electronics Pvt. Ltd.
52 G.I.D.C. Makarpura
Vadodara 390 010. INDIA.



PC Board Layout

ELECTRICAL:

1. VOLTAGE RATING: 125V AC.
2. CURRENT RATING: 1.5A.
3. CONTACT RESISTANCE: 30 mΩ MAX.
4. INSULATION RESISTANCE: 500 MΩ MIN @ 500V DC.
5. DIELECTRIC STRENGTH: 1000V AC 50Hz or 60Hz, 1MIN.

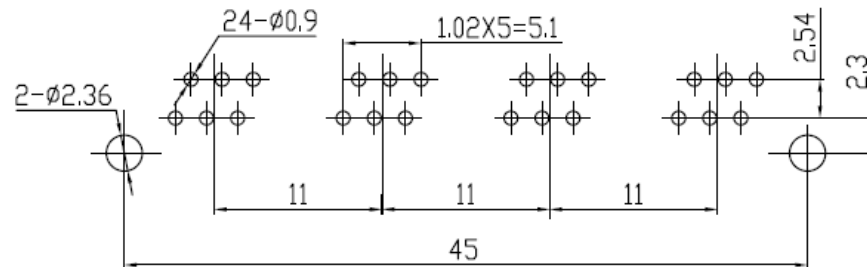
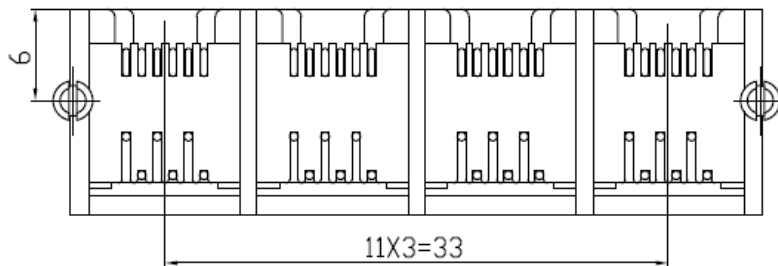
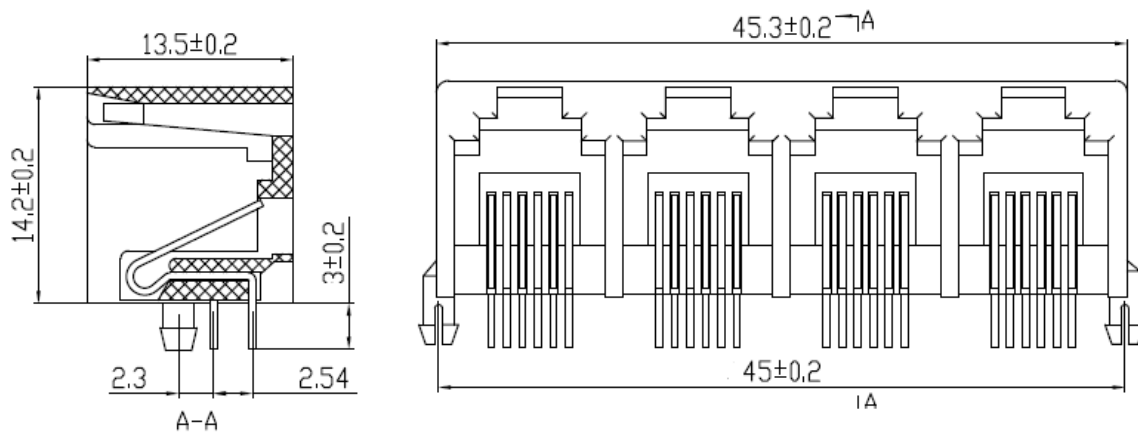
MECHANICAL:

1. INSERT MATERIAL: UL94V-0.
2. CONTACT MATERIAL: DIAMETER 0.46mm C51000 (QSn4-0.3) PHOSPHOR BRONZE GOLD PLATING OVER NICKEL.
3. MATING/UNMATING FORCE: 2.2KG. F MAX.
4. RETENTION STRENGTH: 7.7KG. F MIN BETWEEN JACK AND PLUG.
5. OPERATING LIFE: 750 CYCLES MIN.

ENVIRONMENTAL:

1. STORAGE: -40°C ~ +85°C RELATIVE HUMIDITY<70%.
2. OPERATION: -40°C ~ +85°C.

Part code: JP-623A-6P4C-4P
Description: 4 Port Side entry 623A 6P4C modular jack



PC Board Layout

ELECTRICAL :

- 1. VOLTAGE RATING : 125 VAC RMS.
- 2. CURRENT RATING : 1.5 AMP.
- 3. CONTACT RESISTANCE : 30 MILLIOHMS MAX.
- 4. INSULATION RESISTANCE : 500 MEGOHMS MIN @ 500 VDC.
- 5. DIELECTRIC STRENGTH : 1000 VAC RMS 50Hz or 60Hz, 1MIN.

MECHANICAL :

- 1. HOUSING & INSERT MATERIAL : PBT UL94V-0.
- 2. CONTACT MATERIAL : DIAMETER 0.45MM PHOSPHOR BRONZE
GOLD PLATING OVER NICKEL.
- 3. MATING/UNMATING FORCE : 2.2KG. F MAX.
- 4. RETENTION STRENGTH : 7.7KG. F MIN BETWEEN JACK AND PLUG.
- 5. OPERATING LIFE : 750 CYCLES MIN.

ENVIRONMENTAL :

- 1. STORAGE : -10°C ~ +40°C RELATIVE HUMIDITY<70%.
- 2. OPERATION : -40°C ~ +70°C.

Part Code: JP-623A-6PXX-4P

Description: 4 Port 6P6C modular jack

Replace XX with 2C, 4C or 6C number of contacts

PRAN ELECTRONICS PVT. LTD.
INDIA

Rev. 00 date 11/07/2016

DRAWING NOT TO SCALE